

HANDYSENS^G

HANDHELD SIGNAL CONDITIONER FOR (GaAs) TECHNOLOGY



KEY FEATURES

- Compact and rugged design
- Portable battery operated unit
- Sampling rate of 250 Hz
- Large convenient touchscreen display
- Ethernet & USB interface
- Support a broad range of temperature sensors

HANDYSENS^G OPSSENS SOLUTIONS' (GaAs) TECHNOLOGY

DESCRIPTION

The HandySens^G is a **compact and portable** signal conditioner to be used with any of Opsens Solutions' GaAs fiber optic temperature sensors.

At the heart of the HandySens^G is the Opsens' Semiconductor Band Gap (SCBG) technology which provides a mean for making accurate measurements of the temperature-dependent bandgap position of GaAs crystal.

The HandySens^G unit is the latest generation of Opsens Solutions' signal conditioners equipped with state-of-the-art technologies. Highly versatile, it supports a broad range of fiber optic temperature sensors and offers measurement **sampling rate of 250 Hz**.

The HandySens^G is equipped with a large and practical 5.0" touchscreen display and can be battery operated for remote monitoring projects. The single channel signal conditioner can be controlled directly using the touchscreen display or remotely using Ethernet Interface 10/100 Base-T and/or USB for real-time data acquisition. The unit is equipped with internal storage to provide the required autonomy in remote locations.

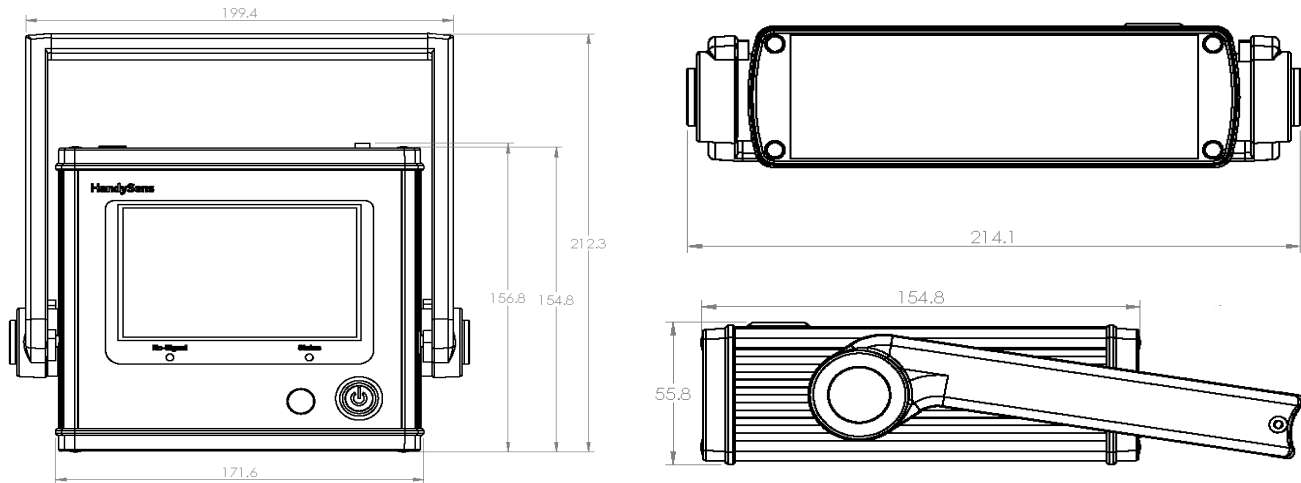
APPLICATIONS

- Power Electronics and Semiconductor
- Electromagnetic Compatibility (EMC) assessment
- Aerospace and Defense
- Portable or benchtop controller
- High voltage conditions
- EMI, RFI and microwave environments
- Industrial: automation and process control
- Autonomous monitoring in remote areas



HANDYSENS^G

HANDHELD SIGNAL CONDITIONER FOR (GaAs) TECHNOLOGY



All units are in millimeters

SPECIFICATIONS

| | |
|-----------------------------|---|
| NUMBER OF CHANNELS | Single |
| DISPLAY | 5.0" color (800x480) capacitive touchscreen. |
| SAMPLING RATE | 250 Hz. |
| ANALOG OUTPUTS | 0-5 V, ± 5 V, 0-10 V, 0-20mA, 4-20 mA |
| COMMUNICATION INTERFACES | Ethernet Interface 10/100 Base-T and USB |
| COMMUNICATION PROTOCOL | Modbus TCP, SCPI, UDP, FTP |
| INPUT VOLTAGE AND FREQUENCY | 24V to 32 V (AC/DC wall-transformer adapter included) |
| CONSUMPTION | Max power 36W (during battery charging) |
| BATTERY | Rechargeable battery with an autonomy of 8 hours |
| DIMENSION & WEIGHT | 55.8 mm (H) x 199.4 mm (W) x 214.1 mm (L) - 0.68 Kg |
| STORAGE TEMPERATURE | -40 °C to 70 °C |
| OPERATING TEMPERATURE | 0 °C to 50 °C |
| HUMIDITY | 95 % non condensing |
| INTERNAL STORAGE | 32 Gigabytes |
| COMPATIBILITY | All Opsens Solutions' GaAs fiber optic sensors |